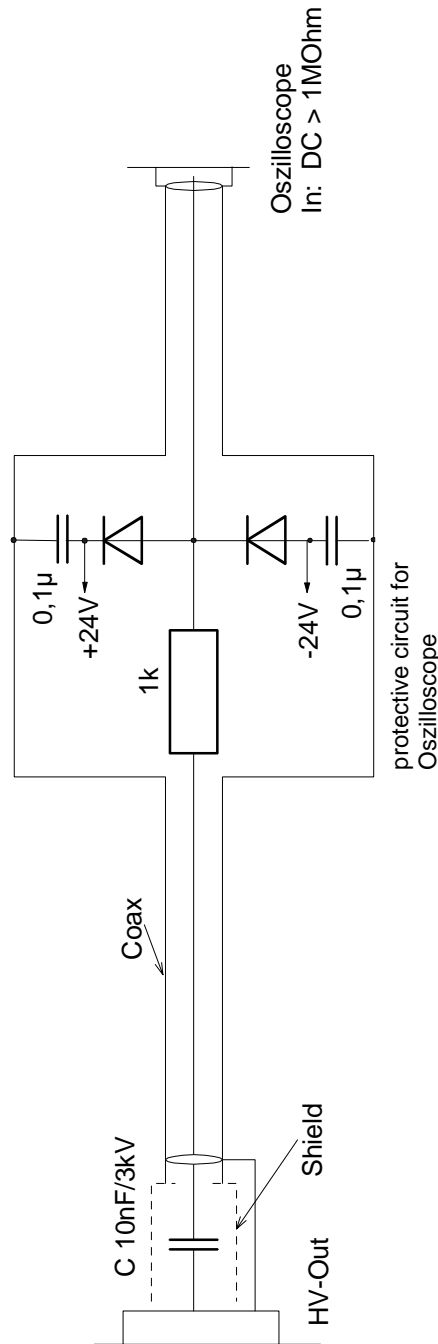


Principal scheme of measurement of ripple and noise:  
Whole connection between HV-Output and Oszilloscope must be shielded!



Diodes: fast, with low capacity,  
e.g. BAV 99